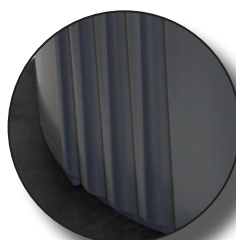


# 32 Gallon Gator® Container with New Improved Features

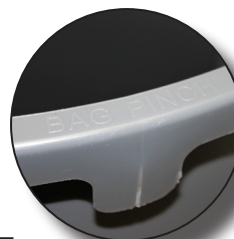
## IMPACT



- six air-venting passages dramatically reduce the force required to remove a filled poly bag liner
- built-in Gator® poly bag pinches - like Pinch'm®
- better hand grip pockets with a deep and wider opening for easier lifting and container dumping
- one-piece molded construction provides higher impact and crush resistance
- independent, third-party testing proved impact sidewall toughness in temperature extremes (hot/cold)
- independent, third-party testing showed up to 75% reduction in pull force measurement required versus traditional designs
- 7733 lids fit the new Gator® Container
- made of recyclable plastic: Code 7
- tests results available on DVD (**DVD32G10**)



air-venting passages



built-in bag pinches



deeper, wider hand grips

Item	Description	Color	Size	Packaging
7732-1	Improved Gator® Container	White	22" Dia. x 27-3/8" H	6/cs.
7732-3	Improved Gator® Container	Gray	22" Dia. x 27-3/8" H	6/cs.
7732-11	Improved Gator® Container	Blue	22" Dia. x 27-3/8" H	6/cs.
7732-11R	Improved Gator® Container	Blue Recycle	22" Dia. x 27-3/8" H	6/cs.
7732-14	Improved Gator® Container	Green	22" Dia. x 27-3/8" H	6/cs.
7732-16	Improved Gator® Container	Yellow	22" Dia. x 27-3/8" H	6/cs.



- 3" heavy-duty, non-marking, quiet, gray casters
- ideal for use by hospitals, nursing facilities, schools, contract cleaners, office buildings, convention centers, airports, etc.
- 88% noise reduction; ideal for daytime cleaning in areas requiring minimal noise distractions
- structural foam base made of 100% recycled material

*\*50% improvement in tip resistance over standard 18" dollies.*

## Gator® Anchor Dolly NOW! with Quiet Casters



# Additional Gator® Containers:

**IMPACT**®



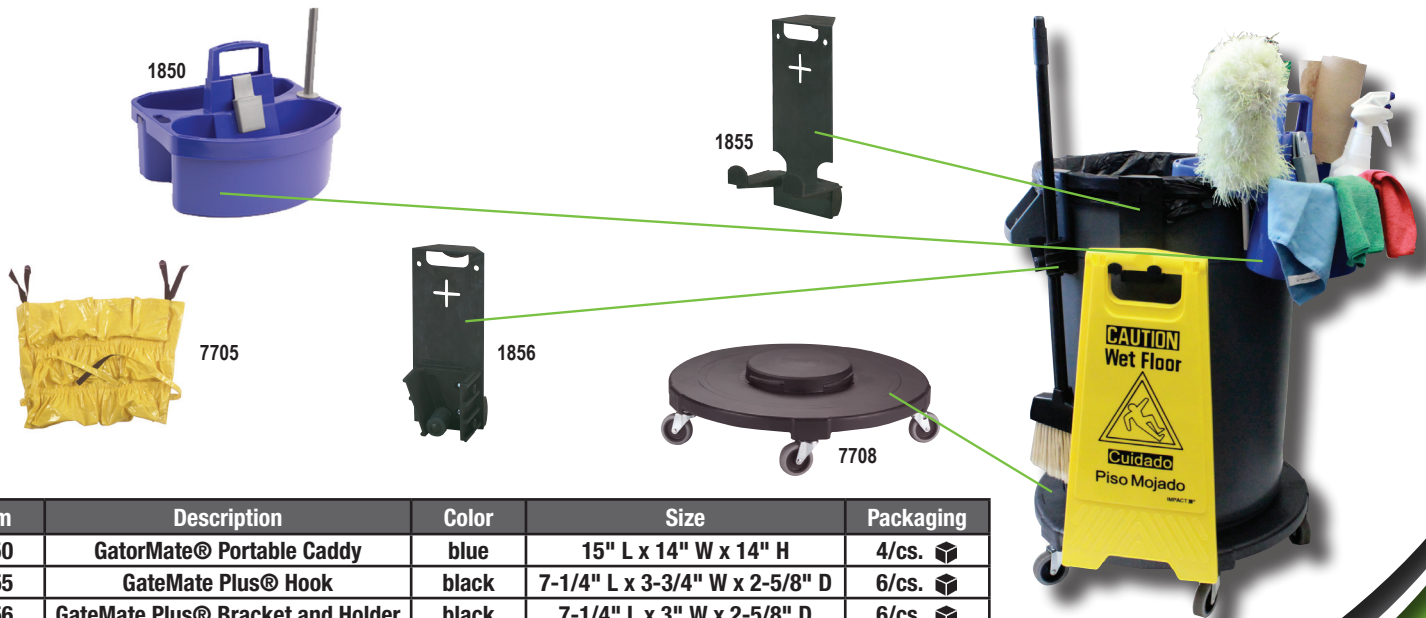
- one piece molded construction creates high impact and crush resistance
- with lid locked, container is animal and spill resistant even if tipped over
- offset ridge design allows container to nest without jamming
- handles have a larger radius and deeper well, making container more comfortable to lift and move
- molded with highest quality polyethylene resin
- made of recyclable plastic; recycle code 7



Gator® containers and lids sold separately

Capacity/Description	white	gray	red	blue	yellow	green	dimensions	packaging
10 Gallon Gator® container	7710-1	7710-3	NA	NA	7710-16	NA	15-7/8" Dia. x 17" H	6/cs.
10 Gallon Gator® lid	7711-1	7711-3	NA	NA	7711-16	NA	16" Dia. x 1-3/16" H	6/cs.
20 Gallon Gator® container	7720-1	7720-3	NA	7720-11	NA	NA	19-1/4" Dia. x 23-1/8" H	6/cs.
20 Gallon Gator® lid	7721-1	7721-3	NA	7721-11	NA	NA	19-1/2" Dia. x 1-1/8" H	6/cs.
32 Gallon Gator® lid	7733-1	7733-3	NA	7733-11	7733-16	7733-14	22" Dia. x 1-1/4" H	6/cs.
44 Gallon Gator® container	7744-1	7744-3	7744-6	7744-11	7744-16	NA	23-3/4" Dia. x 31-5/8" H	4/cs.
44 Gallon Gator® lid	7745-1	7745-3	7745-6	7745-11	7745-16	NA	24" Dia. x 1-3/8" H	4/cs.
55 Gallon Gator® container	NA	7755-3	NA	NA	NA	NA	26-3/4" Dia. x 33" H	3/cs.
55 Gallon Gator® lid	NA	7756-3	NA	NA	NA	NA	27-1/4" Dia. x 2-1/2" H	3/cs.

## Gator® System Accessories:



Item	Description	Color	Size	Packaging
1850	GatorMate® Portable Caddy	blue	15" L x 14" W x 14" H	4/cs.
1855	GateMate Plus® Hook	black	7-1/4" L x 3-3/4" W x 2-5/8" D	6/cs.
1856	GateMate Plus® Bracket and Holder	black	7-1/4" L x 3" W x 2-5/8" D	6/cs.
7705	Vinyl Gator® Caddy	yellow	20" dia. x 20-1/2" H	6/cs.
7708	Gator® Anchor Dolly	black	24" dia. x 7" H	2/cs.
7704	Gator® Dolly	black	18" dia. x 6-9/16" H	2/cs.
7736-3	Plastic Funnel Top	gray	fits 32-gallon containers	4/cs.
7747-3	Dome Top	gray	fits 44-gallon containers	2/cs.

For more information,  
visit our website:  
[www.impact-products.com](http://www.impact-products.com)

IMPACT PRODUCTS LLC  
2840 Centennial Road • Toledo, Ohio 43617  
tel 800.333.1541 • fax 800.333.1531 • [www.impact-products.com](http://www.impact-products.com)  
GF1010