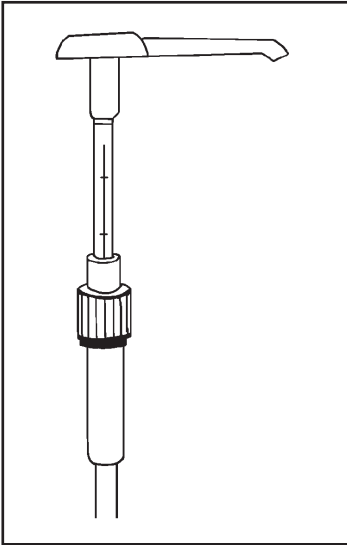





901 1-oz. Deluxe Plastic Dispensing Pump



description

- 38mm cap; 10-3/4" tube length from collar to end
- calibrated plunger
- fits standard gallon
- FDA compliant for food applications and disinfectants
- external restriction clip available
- can be used with grit and pumice substances
- accessory parts available

Item	Description	Color/Scent	Size	Private Labeling	Case Weight	Case Cube	Packaging
901	Deluxe Plastic Dispensing Pump	white	10-3/4" L; 38mm cap	NA	3.9 lbs	.63	24/cs. 

 inner case only
 master carton only
 no symbol indicates sold by the each