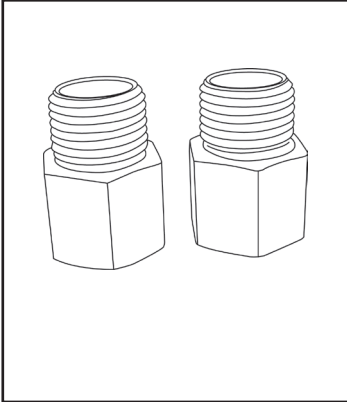




8125 / 8150 / 8175 Watermiser® Water Control Valve



description

- Reduces water flow in faucets, showers and hose bibs from 40% to 85%
- flow control valves are ideal for schools, universities, hospitals, restaurants, office buildings or any place faucets are used
- pays for itself quickly with lower water, sewer and energy bills
- solid brass, self-cleaning patented valves will not clog and bi-directional valves can be installed in either direction
- easy to install-Attach directly to faucets, shower arms and hose bibs
- made in USA
- meets State and Federal "Lead Free" regulations
- LEED Credits are offered with water flow control valves (see Local LEED Auditor)
- replaces need for aerators and reduces the chance of vandalism

Item	Description	Color/Scnt	Size	Private Labeling	Case Weight	Case Cube	Packaging
8125	Watermiser® Water Control Valve	brass	1.25 GPM	NA	4.5 lbs	0.07	1 pr./bg.; 12 bg./cs.
8150	Watermiser® Water Control Valve	brass	1.50 GPM	NA	4.5 lbs	0.07	1 pr./bg.; 12 bg./cs.
8175	Watermiser® Water Control Valve	brass	1.75 GPM	NA	4.5 lbs	0.07	1 pr./bg.; 12 bg./cs.

 inner case only
 master carton only
 no symbol indicates sold by the each