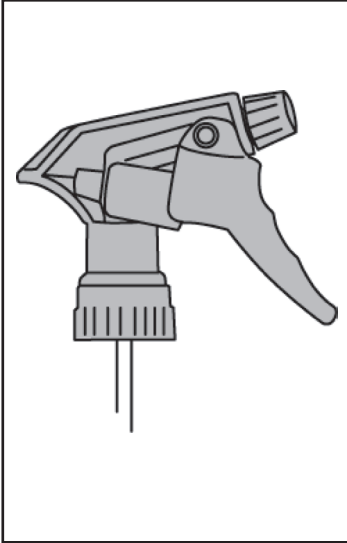




4950 Smazer® Chemical Resistant Trigger Sprayer



description

- o-ring and piston cup made of chemical resistant viton rubber
- no leak reshipper - safer to use
- 40-50% higher output; 1.4 ml per stroke
- long, comfortable ergonomic 3-finger grip
- 28/400 mm neck finish

Item	Description	Color/Scent	Size	Private Labeling	Case Weight	Case Cube	Packaging
4950	Smazer® Chemical Resistant Trigger Sprayer	gray	10" tube	NA	12 lbs	1.03	100/cs. 

 inner case only
 master carton only
 no symbol indicates sold by the each